

# ARTHROSCOPY

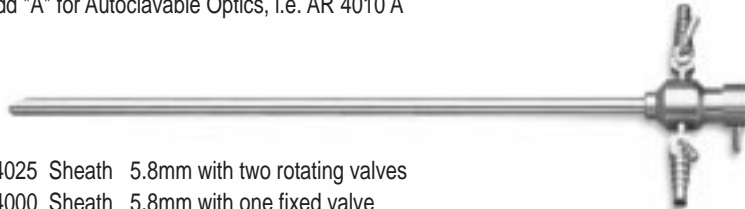
arthroscopes & accessories



## Arthroscopes & Accessories, 4mm



- AR 4010 Arthroscope Rod Lens 4mm Wide Angle 0°
- AR 4310 Arthroscope Rod Lens 4mm Wide Angle 30°
- AR 4710 Arthroscope Rod Lens 4mm Wide Angle 70°
- (\*) Add "A" for Autoclavable Optics, i.e. AR 4010 A



- AR 4025 Sheath 5.8mm with two rotating valves
- AR 4000 Sheath 5.8mm with one fixed valve
- AR 4005 Sheath 5.8mm with one rotating valve



- AR 4050 Trocar 4mm Blunt
- AR 4060 Trocar 4mm Sharp

## Arthroscopes & Accessories, 2.7mm



- AR 2700 Arthroscope 2.7mm, 0°
- AR 2730 Arthroscope 2.7mm, 30°
- AR 2770 Arthroscope 2.7mm, 70°
- (\*) Add "A" for Autoclavable Optics, i.e. AR 2700 A



- AR 2705 Sheath for 2.7mm Arthroscope



- AR 2750 Trocar 2.7mm Blunt
- AR 2760 Trocar 2.7mm Sharp



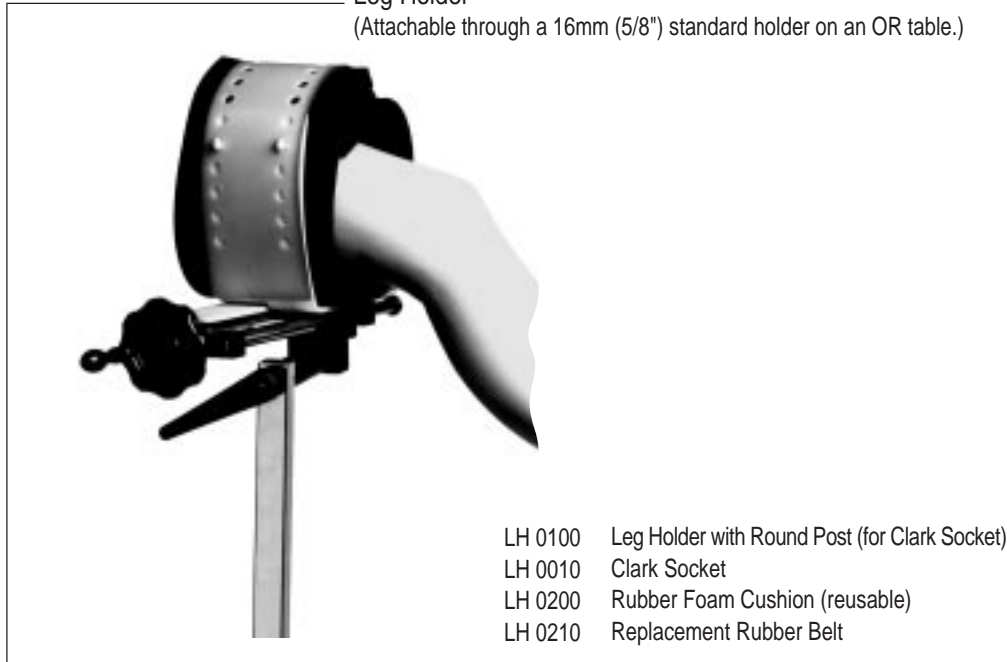
CONTEC MEDICAL LTD.  
 11, Haroshet St.,  
 P.O. Box 1400  
 Ramat Hasharon  
 47113, Israel  
 Tel: +972-3-549-1153  
 Fax: +972-3-549-1095  
 e-mail:  
 info@contecmedical.com  
 www.contecmedical.com



# ARTHROSCOPY

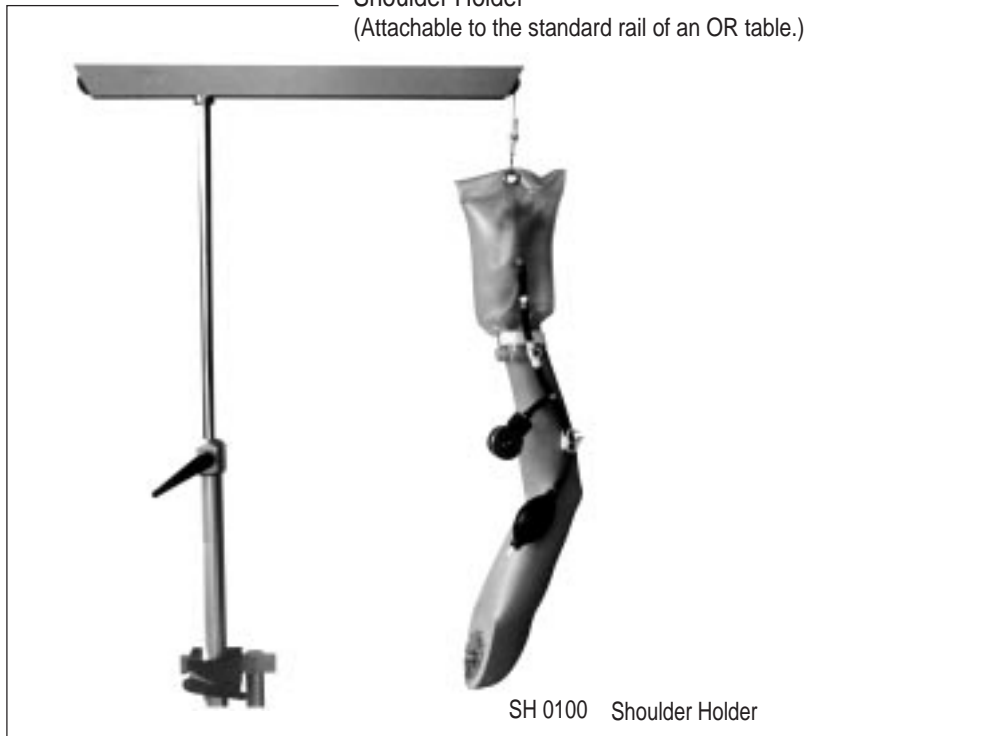
a c c e s s o r i e s

Leg Holder  
(Attachable through a 16mm (5/8") standard holder on an OR table.)



- LH 0100 Leg Holder with Round Post (for Clark Socket)
- LH 0010 Clark Socket
- LH 0200 Rubber Foam Cushion (reusable)
- LH 0210 Replacement Rubber Belt

Shoulder Holder  
(Attachable to the standard rail of an OR table.)



SH 0100 Shoulder Holder



CONTEC MEDICAL LTD.  
11, Haroshet St.,  
P.O. Box 1400  
Ramat Hasharon  
47113, Israel  
Tel: +972-3-549-1153  
Fax: +972-3-549-1095  
e-mail:  
info@contecmedical.com  
www.contecmedical.com